

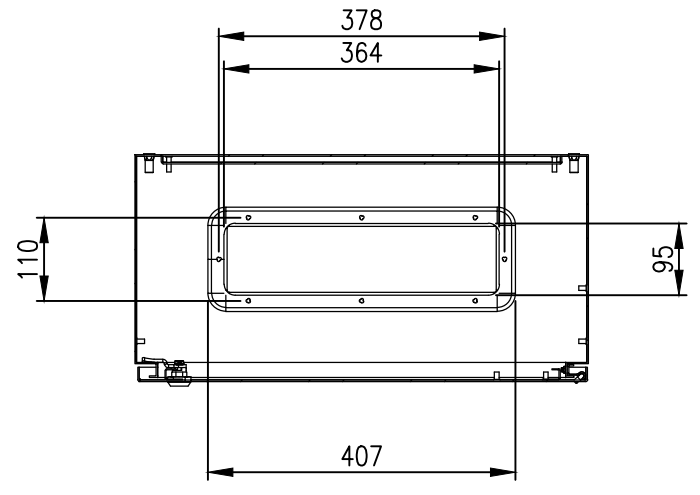
SECTION AV-AV

FRONT VIEW

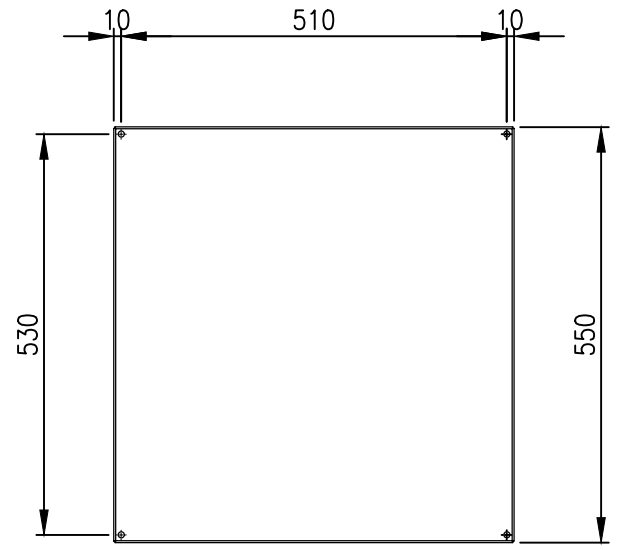
RIGHT SIDE VIEW

SECTION AU-AU

GASKET



SECTION AY-AY



MOUNTING PLATE  
(PAINTED TO RAL9010)

**MATERIAL**  
 BODY: 2.0mm GALVANISED STEEL SHEET  
 DOOR: 2.0mm GALVANISED STEEL SHEET  
 MOUNTING PLATE: GALVANISED STEEL SHEET  
 GLAND PLATE: 2.0mm GALVANISED STEEL SHEET  
 SEAL: POLYURETHANE

PROTECTION: IP66 IK10, NEMA 4  
 STANDARD: IEC62208, IEC/EN/AS60529

© IP ENCLOSURES 2022.  
 THIS DRAWING SHALL NOT BE COPIED OR REPRODUCED WITHOUT  
 AUTHORISATION FROM IP ENCLOSURES.  
 www.ipenclosures.com.au

Itemref	Quantity	Title/Name, designation, material, dimension etc	Article No./Reference
Designed by	Checked by	Approved by - date	Filename Date Scale
IP	IP	29/07/22	IP-SSR606030-HD-OR 29/07/22 1:10
			600x600x300 HD STEEL SLOPING ROOF ENCLOSURE
IP-SSR606030-HD-OR			Edition 0 Sheet 1/1