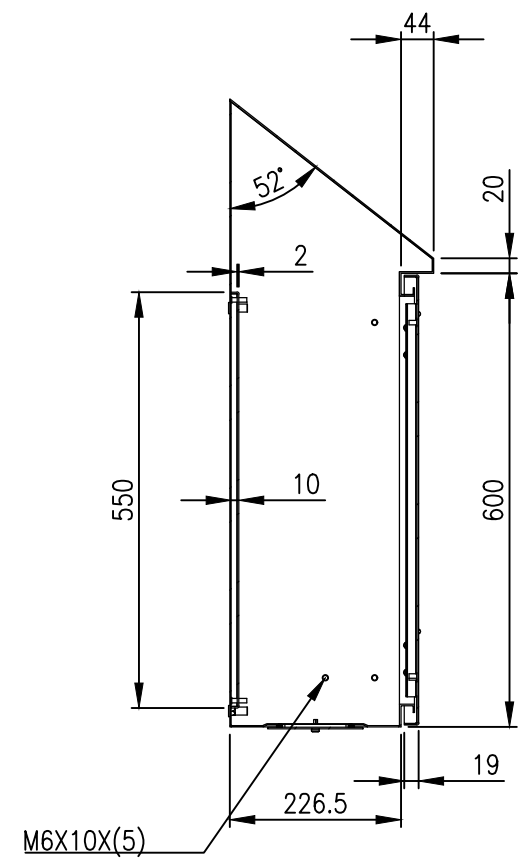
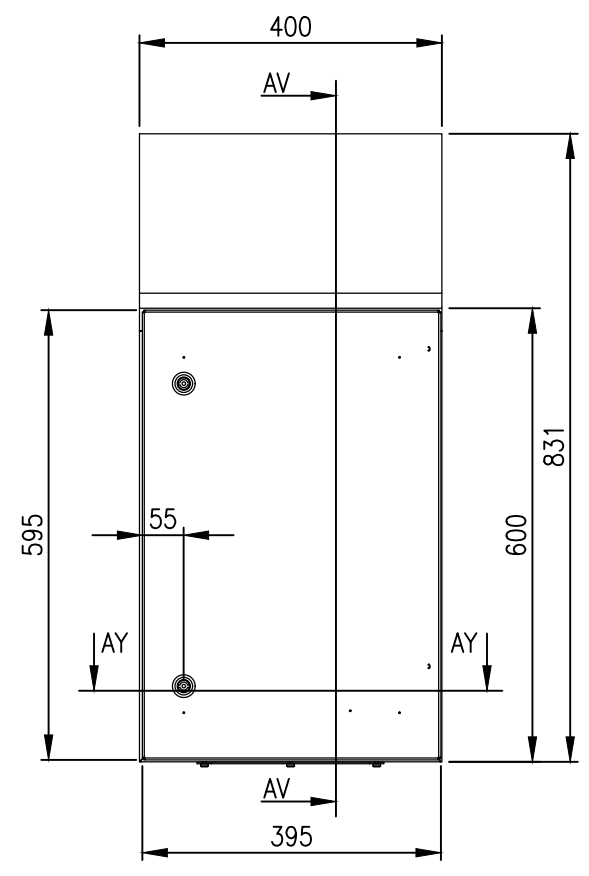


A
B
C
D
E
F
G
H

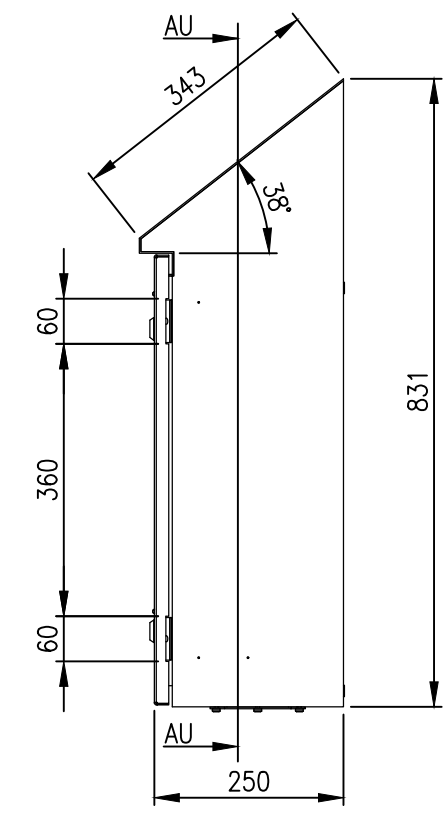
A
B
C
D
E
F
G
H



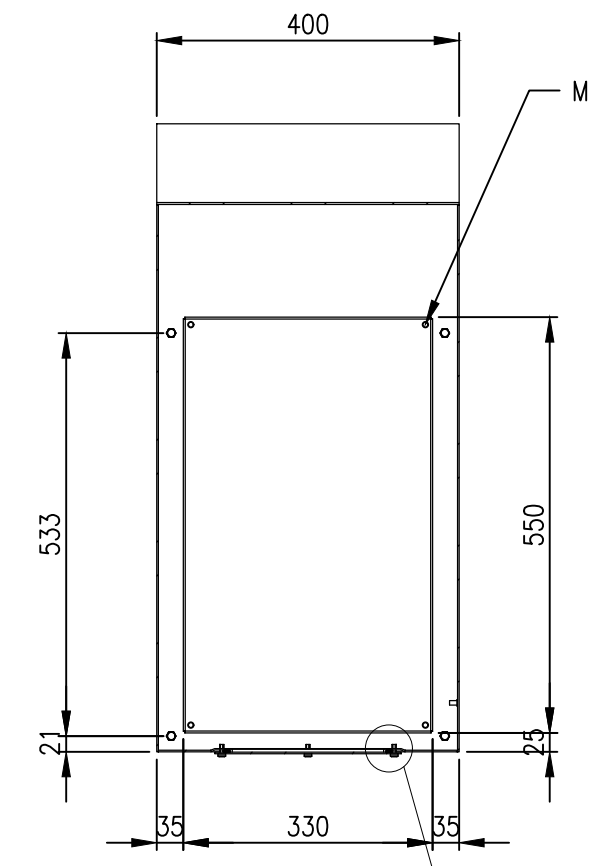
SECTION AV-AV



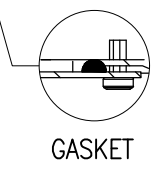
FRONT VIEW



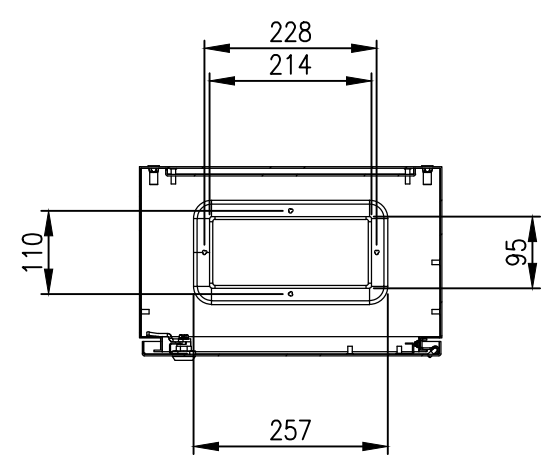
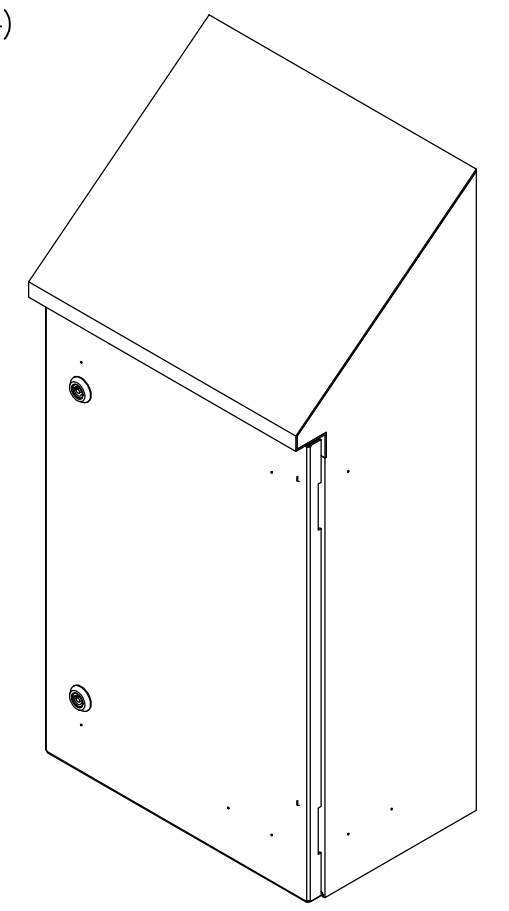
RIGHT SIDE VIEW



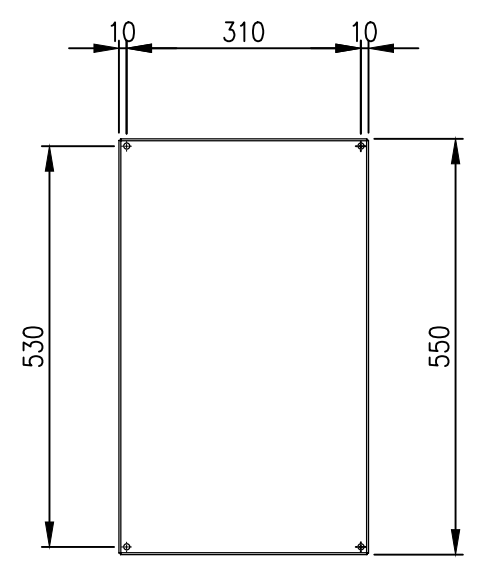
SECTION AU-AU



GASKET



SECTION AY-AY



MOUNTING PLATE
(PAINTED TO RAL9010)

MATERIAL
 BODY: 2.0mm GALVANISED STEEL SHEET
 DOOR: 2.0mm GALVANISED STEEL SHEET
 MOUNTING PLATE: GALVANISED STEEL SHEET
 GLAND PLATE: 2.0mm GALVANISED STEEL SHEET
 SEAL: POLYURETHANE

PROTECTION: IP66 IK10, NEMA 4
 STANDARD: IEC62208, IEC/EN/AS60529

© IP ENCLOSURES 2022.
 THIS DRAWING SHALL NOT BE COPIED OR REPRODUCED WITHOUT
 AUTHORISATION FROM IP ENCLOSURES.
 www.ipenclosures.com.au

Itemref	Quantity	Title/Name, designation, material, dimension etc	Article No./Reference
IP	1	600x400x250 HD STEEL SLOPING ROOF ENCLOSURE	IP-SSR604025-HD-OR
IP	1	MOUNTING PLATE	IP-SSR604025-HD-OR
IP	1	GASKET	IP-SSR604025-HD-OR

Designed by	Checked by	Approved by - date	Filename	Date	Scale
IP	IP	29/07/22	IP-SSR604025-HD-OR	29/07/22	1:10
IP Enclosures			Edition 0		
IP-SSR604025-HD-OR			Sheet 1/1		