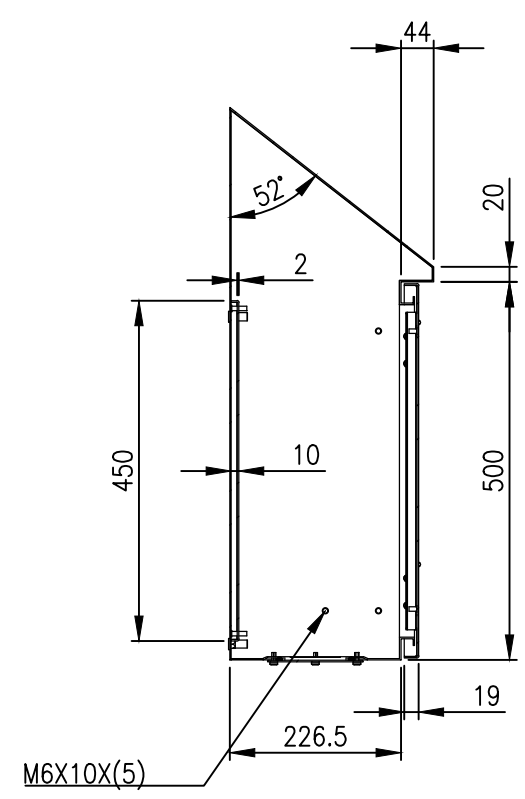
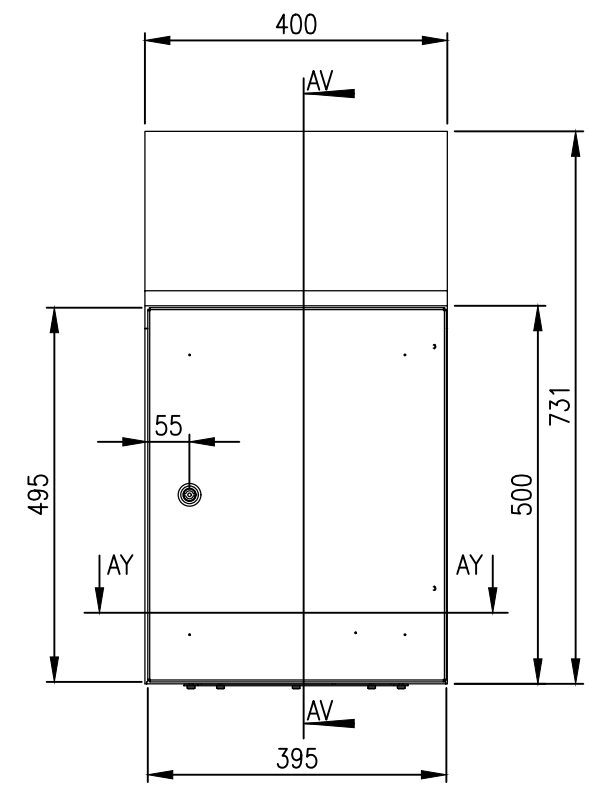


A  
B  
C  
D  
E  
F  
G  
H

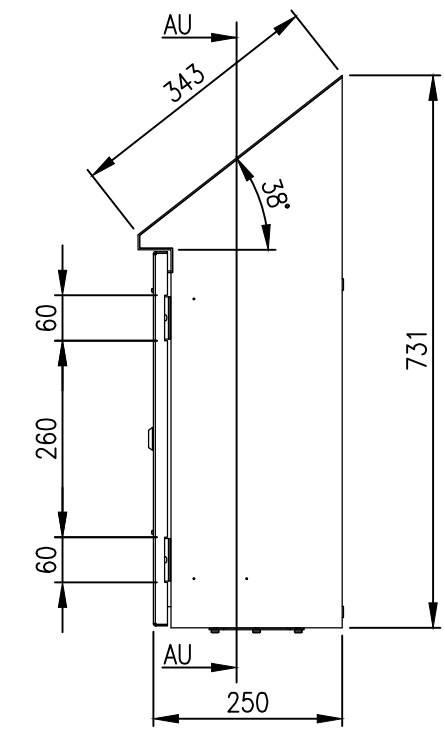
A  
B  
C  
D  
E  
F  
G  
H



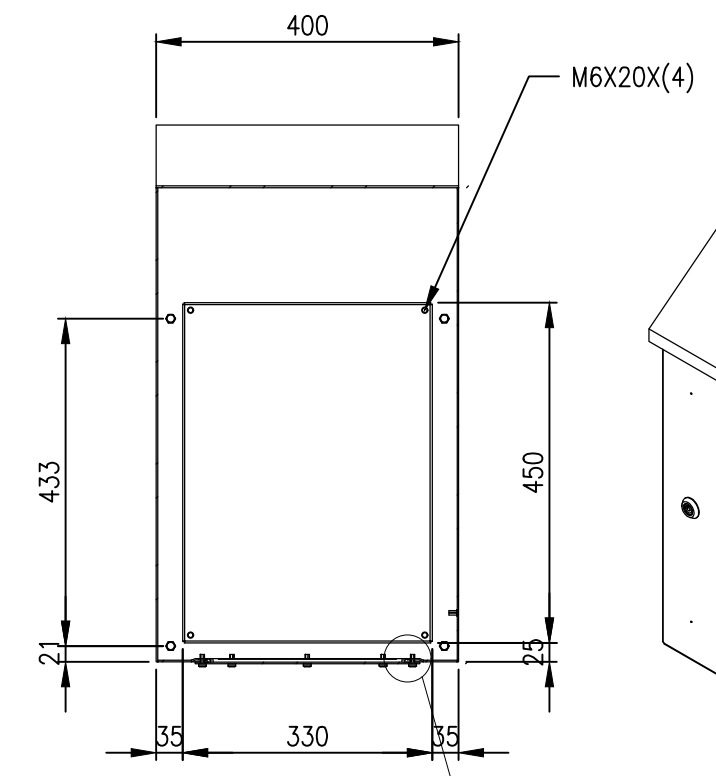
SECTION AV-AV



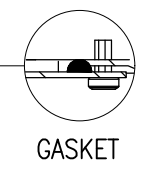
FRONT VIEW



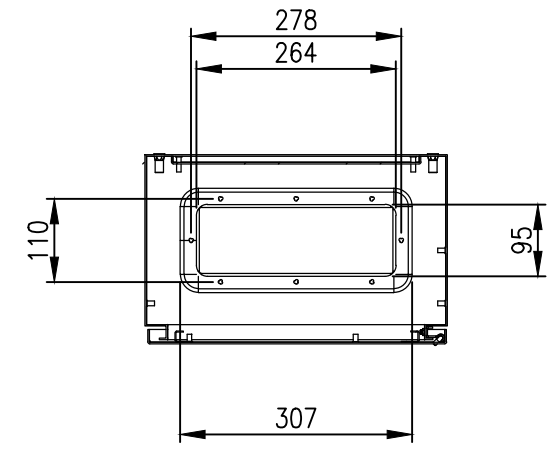
RIGHT SIDE VIEW



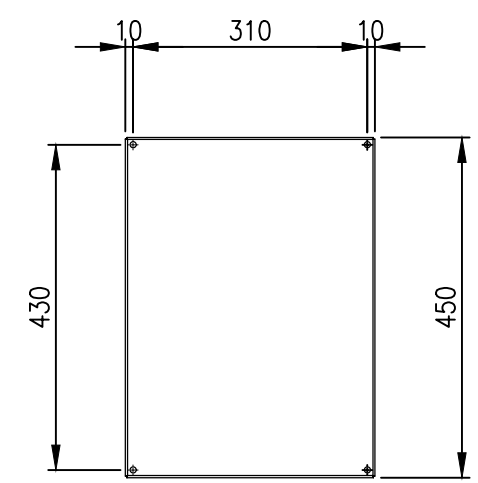
SECTION AU-AU



GASKET



SECTION AY-AY



MOUNTING PLATE  
(PAINTED TO RAL9010)

**MATERIAL**  
 BODY: 2.0mm GALVANISED STEEL SHEET  
 DOOR: 2.0mm GALVANISED STEEL SHEET  
 MOUNTING PLATE: GALVANISED STEEL SHEET  
 GLAND PLATE: 2.0mm GALVANISED STEEL SHEET  
 SEAL: POLYURETHANE

PROTECTION: IP66 IK10, NEMA 4  
 STANDARD: IEC62208, IEC/EN/AS60529

© IP ENCLOSURES 2022.  
 THIS DRAWING SHALL NOT BE COPIED OR REPRODUCED WITHOUT  
 AUTHORISATION FROM IP ENCLOSURES.  
 www.ipenclosures.com.au

|             |            |  |                                  |
|-------------|------------|--|----------------------------------|
| Itemref     | Quantity   | Title/Name, designation, material, dimension etc | Article No./Reference            |
| IP          | 1          | 500x400x250 HD STEEL SLOPING ROOF ENCLOSURE      | IP-SSR504025-HD-OR               |
| Designed by | Checked by | Approved by - date                               | Filename Date Scale              |
| IP          | IP         | 29/07/22   | IP-SSR504025-HD-OR 29/07/22 1:10 |
| Edition     |            | Sheet  |                                  |
| 0           |            | 1/1  |                                  |



500x400x250 HD STEEL SLOPING ROOF ENCLOSURE  
 IP-SSR504025-HD-OR  
 Edition 0  
 Sheet 1/1

