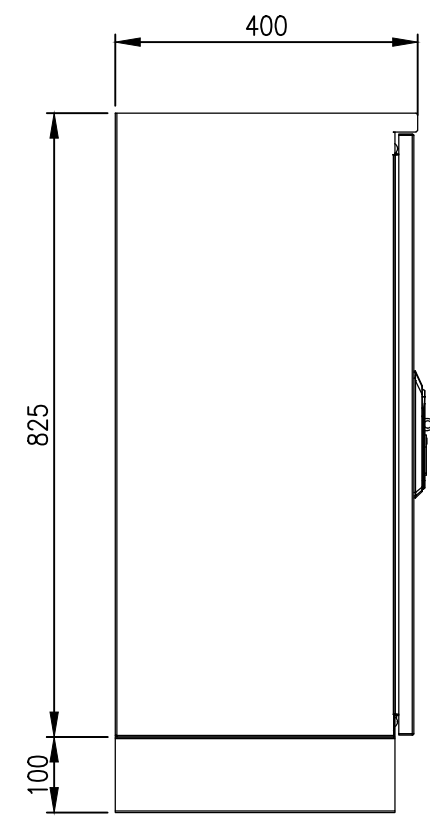
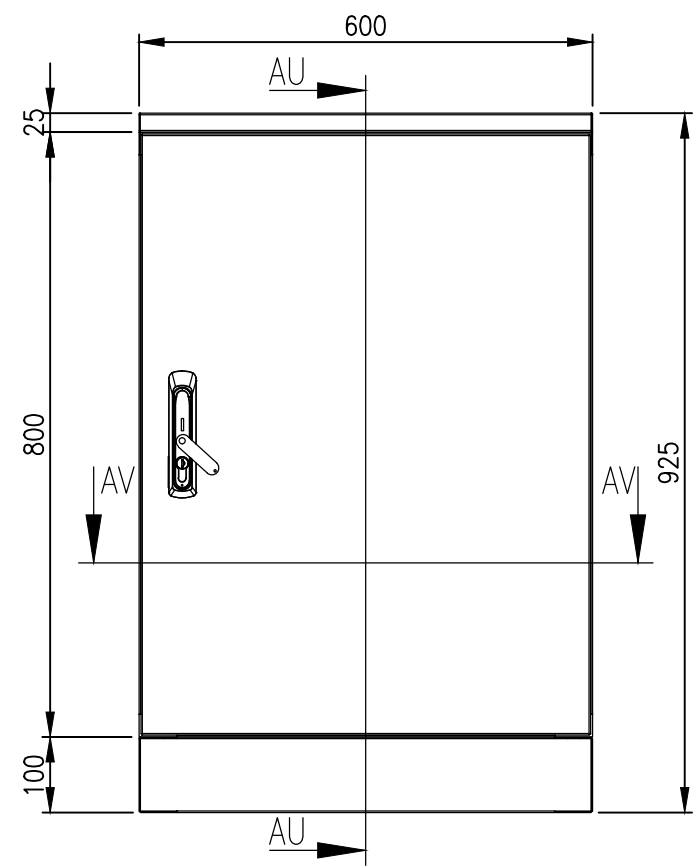


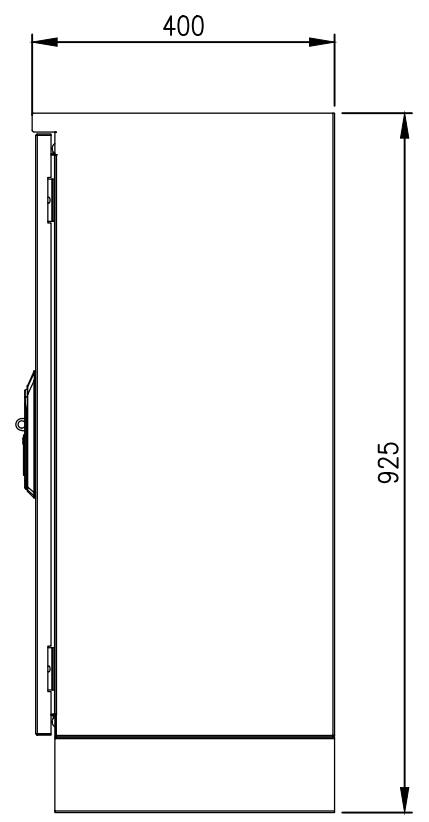
TOP VIEW



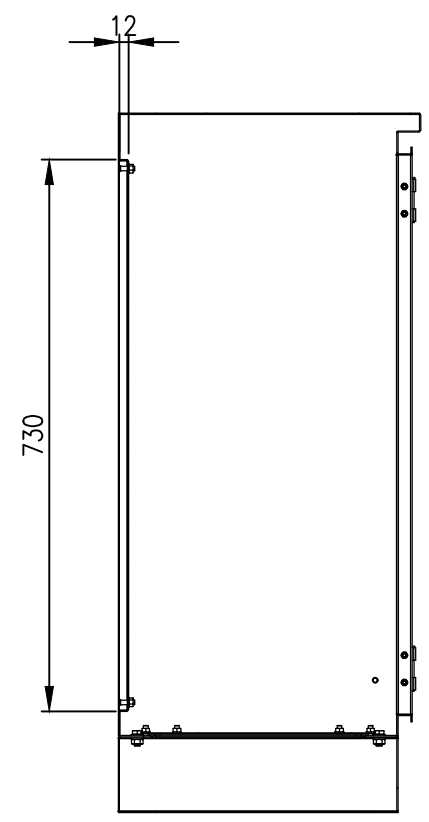
LEFT SIDE VIEW



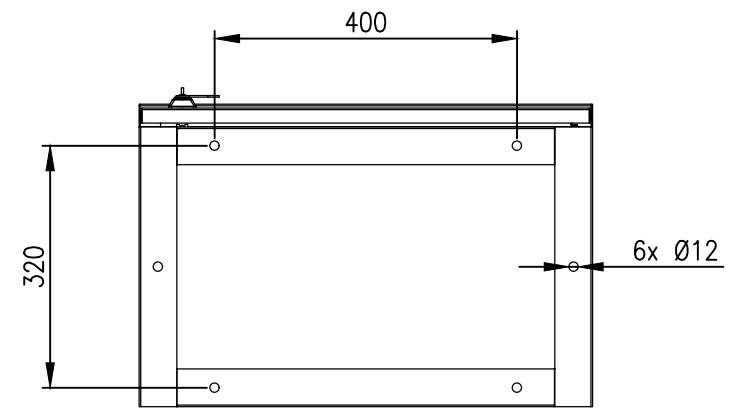
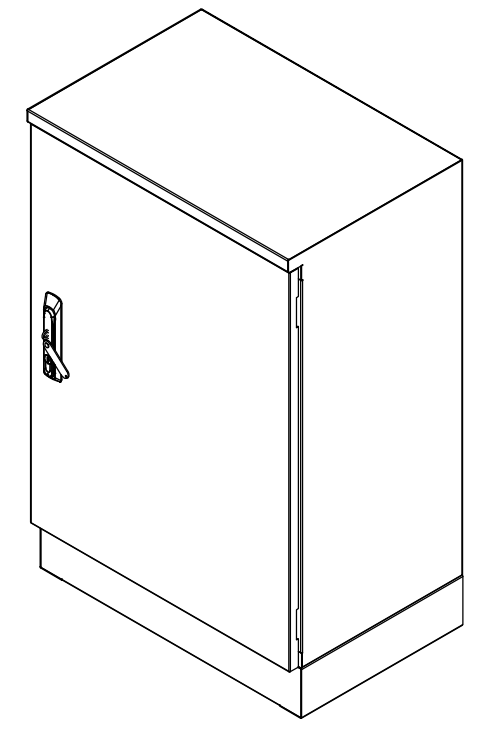
FRONT VIEW



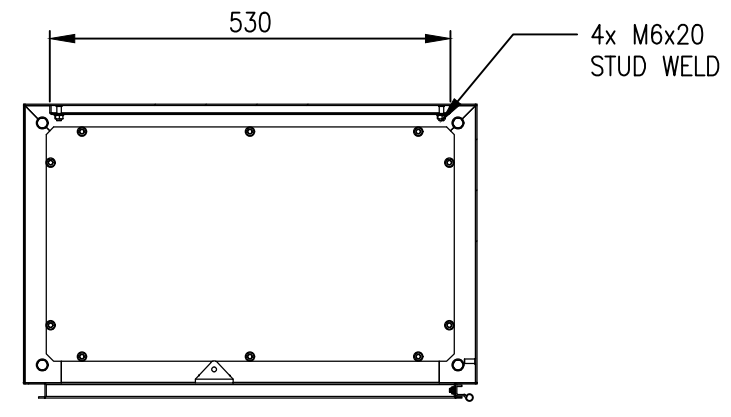
RIGHT SIDE VIEW



SECTION AU-AU



BOTTOM VIEW



SECTION AV-AV

**MATERIAL**  
 BODY: 1.5mm GRADE 316/316L STAINLESS STEEL  
 DOOR: 1.5mm GRADE 316/316L STAINLESS STEEL  
 GLAND PLATE: 1.5mm GALVANISED STEEL  
 DEVICE PLATE: 1.5mm GALVANISED STEEL  
 SEAL: POLYURETHANE

**PROTECTION:** IP66 IK10, NEMA 4  
**STANDARD:** IEC62208, IEC/EN/AS60529

© IP ENCLOSURES 2023.  
 THIS DRAWING SHALL NOT BE COPIED OR REPRODUCED  
 WITHOUT AUTHORISATION FROM IP ENCLOSURES.  
 www.ipenclosures.com.au

Itemref	Quantity	Title/Name, designation, material, dimension etc			Article No./Reference	
Designed by IP	Checked by IP	Approved by - date 13/11/23	Filename IP-SSFE806040	Date 13/11/23	Scale 1:10	
			800x600x400 316SS FIELD ELECTRICAL CABINET			
			IP-SSFE806040		Edition 0	Sheet 1/1