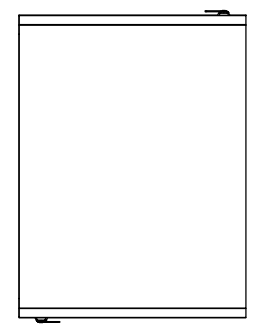
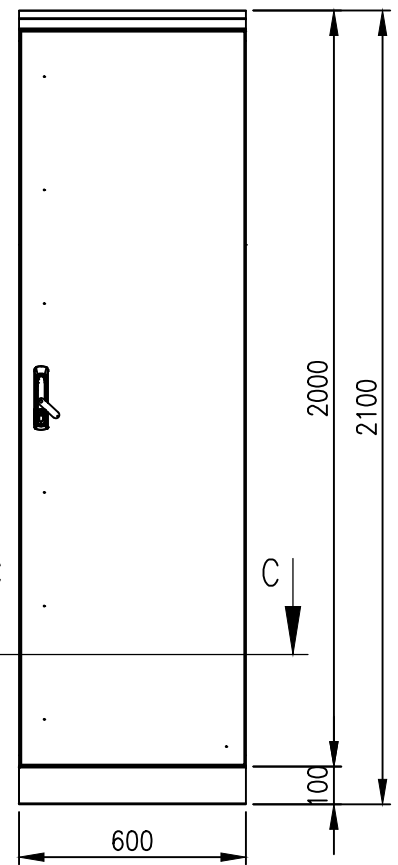


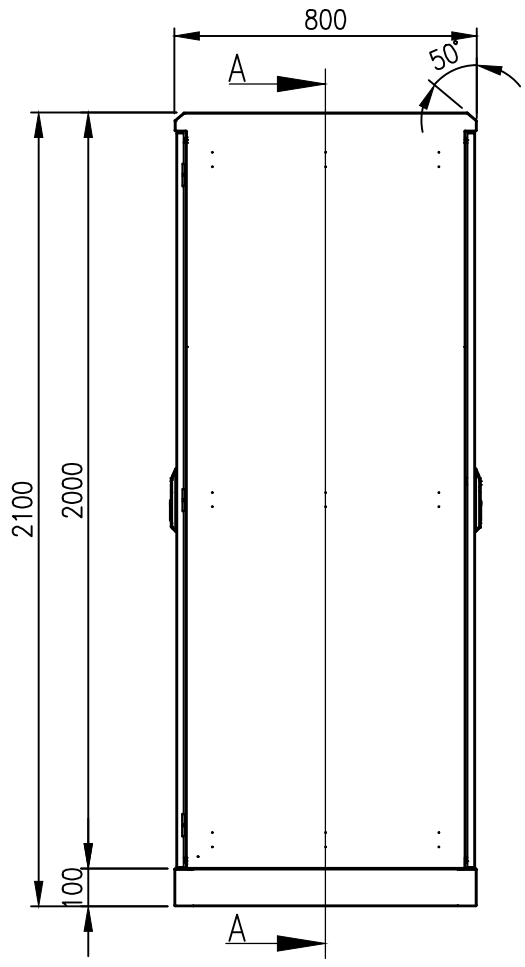
| | | | | |
|-------|------------------|----------|-----------|---------|
| RevNo | Revision note | Date | Signature | Checked |
| 3 | GENERAL REVISION | 04/03/24 | IP | IP |



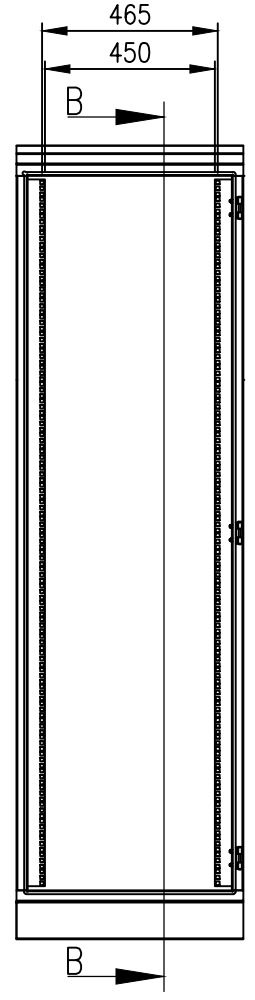
BOTTOM VIEW



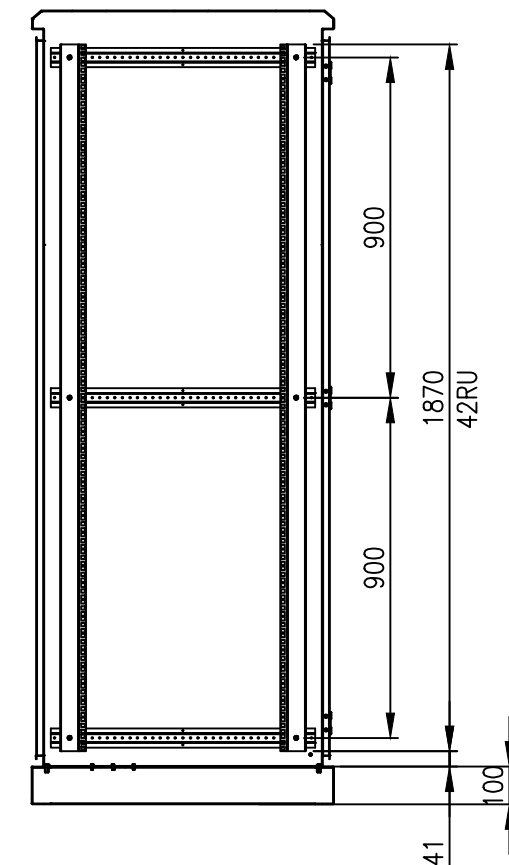
FRONT VIEW



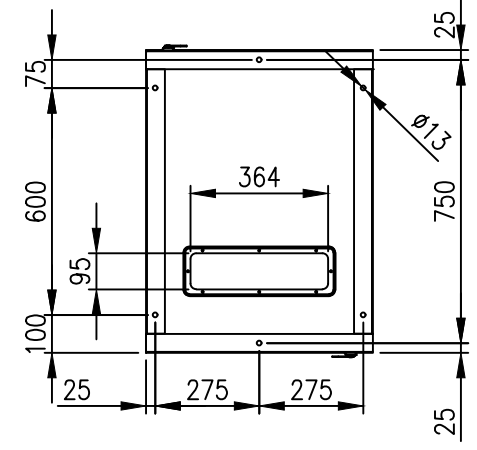
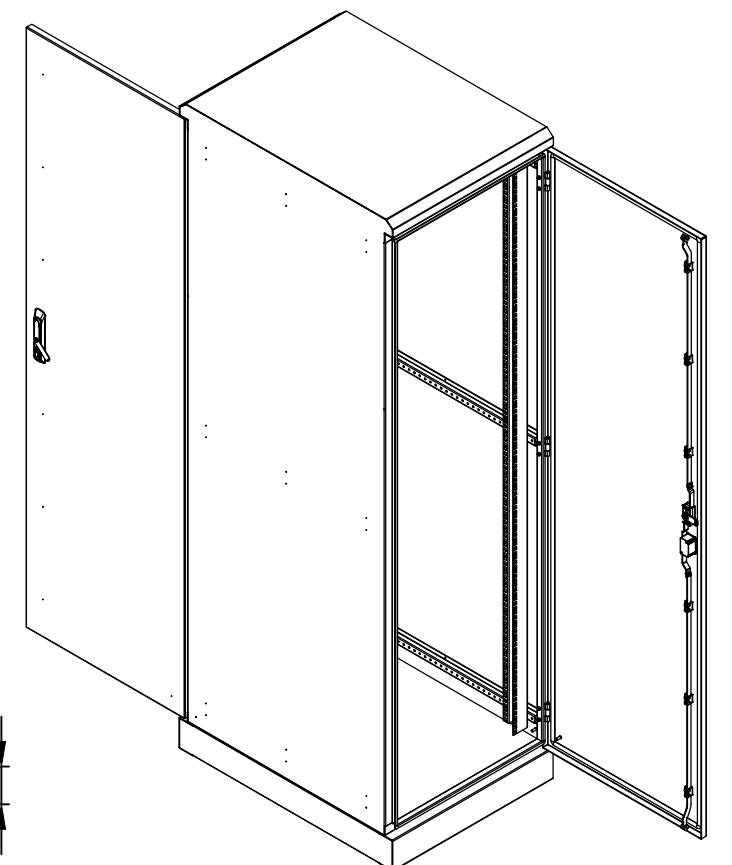
SIDE VIEW



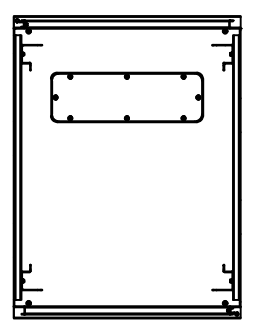
SECTION A-A



SECTION B-B



BOTTOM VIEW



SECTION C-C

MATERIAL
 BODY: 2.0mm GALVANISED STEEL SHEET
 DOOR: 2.0mm GALVANISED STEEL SHEET
 SEAL: POLYURETHANE
 SURFACE TREATMENT: POWDER-COAT 80-120micron

PROTECTION: IP66 IK10
STANDARD: IEC/EN/AS60529

© IP ENCLOSURES 2018.
 THIS DRAWING SHALL NOT BE COPIED OR REPRODUCED
 WITHOUT AUTHORISATION FROM IP ENCLOSURES.
 www.ipenclosures.com.au

| | | | |
|-------------------|------------------|--|--------------------------------------|
| Itemref | Quantity | Title/Name, designation, material, dimension etc | Article No./Reference |
| Designed by IP | Checked by IP | Approved by - date 02/07/18 | Filename IP-SD2006080-RD |
| | | Date 02/07/18 | Scale 1:20 |
| | | | 42RU 2000x600x800 IP66 19" DATA RACK |
| IP-SD2006080-RD | | | Edition 3 |
| | | | Sheet 1/1 |