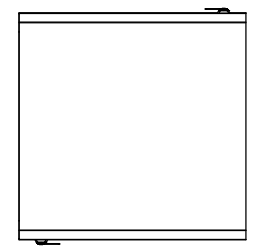
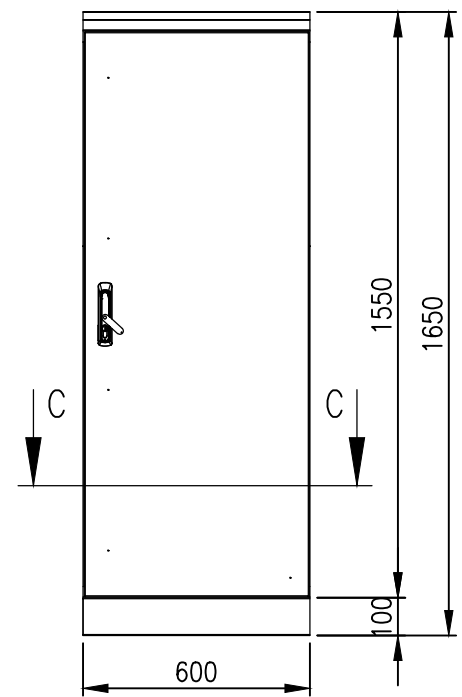


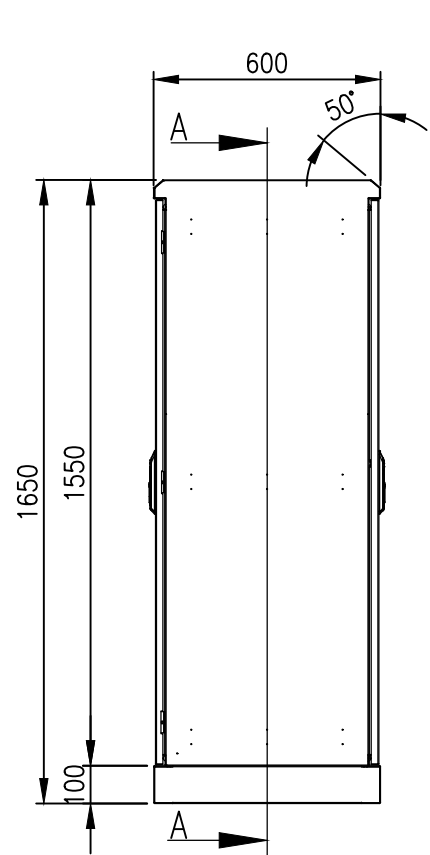
RevNo	Revision note	Date	Signature	Checked
	GENERAL REVISION		IP	IP



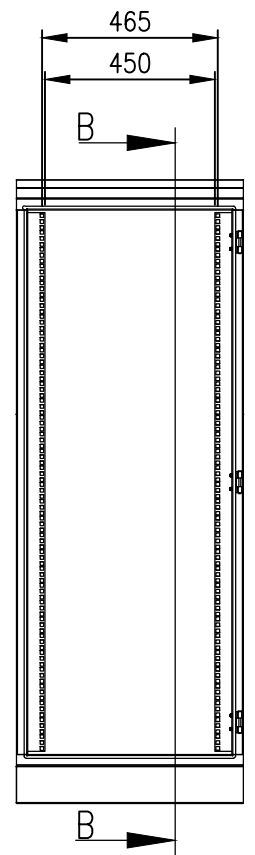
BOTTOM VIEW



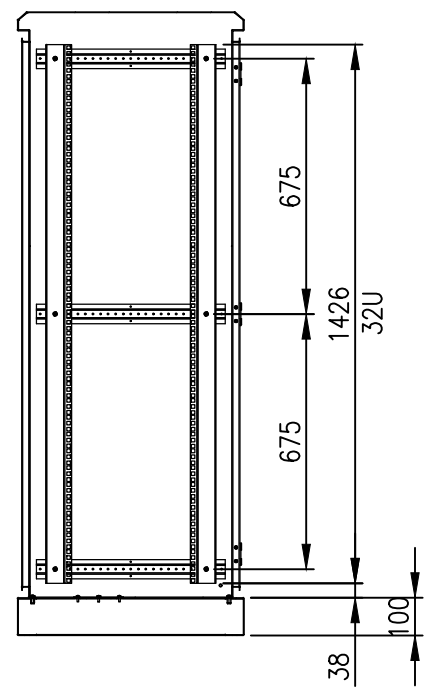
FRONT VIEW



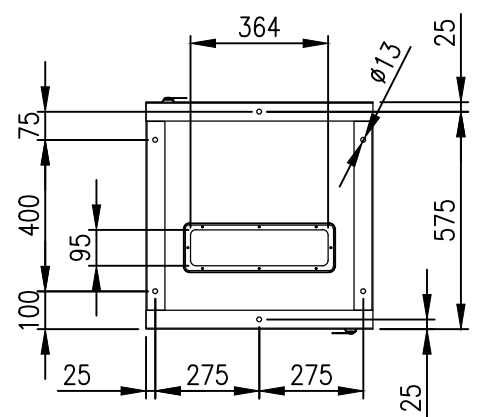
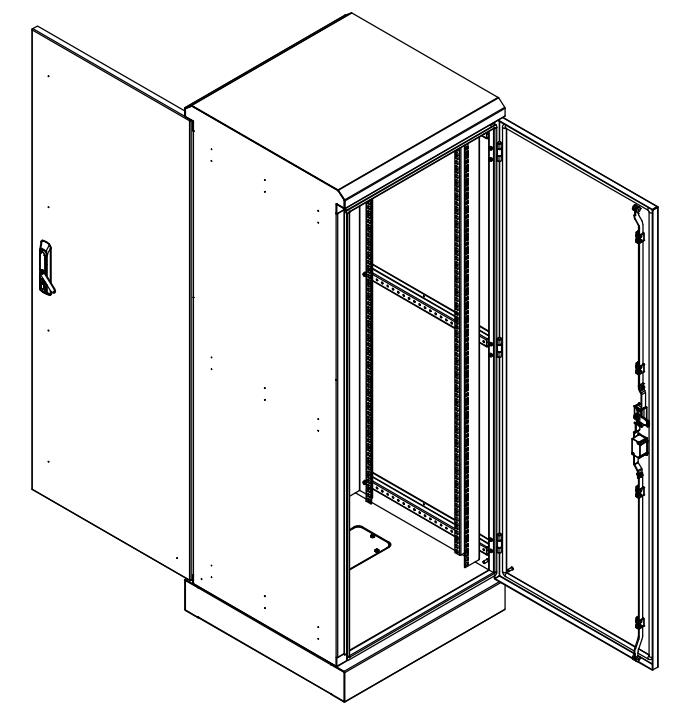
SIDE VIEW



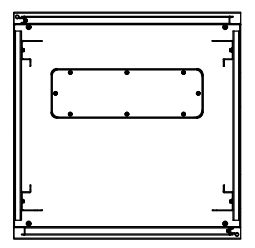
SECTION A-A



SECTION B-B



BOTTOM VIEW



SECTION C-C

**MATERIAL**  
 BODY: 2.0mm GALVANISED STEEL SHEET  
 DOOR: 2.0mm GALVANISED STEEL SHEET  
 SEAL: POLYURETHANE  
 SURFACE TREATMENT: POWDER-COAT 80-120micron

**PROTECTION:** IP66 IK10  
**STANDARD:** IEC/EN/AS60529

© IP ENCLOSURES 2024.  
 THIS DRAWING SHALL NOT BE COPIED OR REPRODUCED  
 WITHOUT AUTHORISATION FROM IP ENCLOSURES.  
 www.ipenclosures.com.au

Itemref	Quantity	Title/Name, designation, material, dimension etc	Article No./Reference
Designed by IP	Checked by IP	Approved by - date 09/08/24	Filename IP-SD1606060-RD Date 09/08/24 Scale 1:20
IP Enclosures		32U 1600x600x600 IP66 19" DATA RACK	
		IP-SD1606060-RD	Edition 0 Sheet 1/1