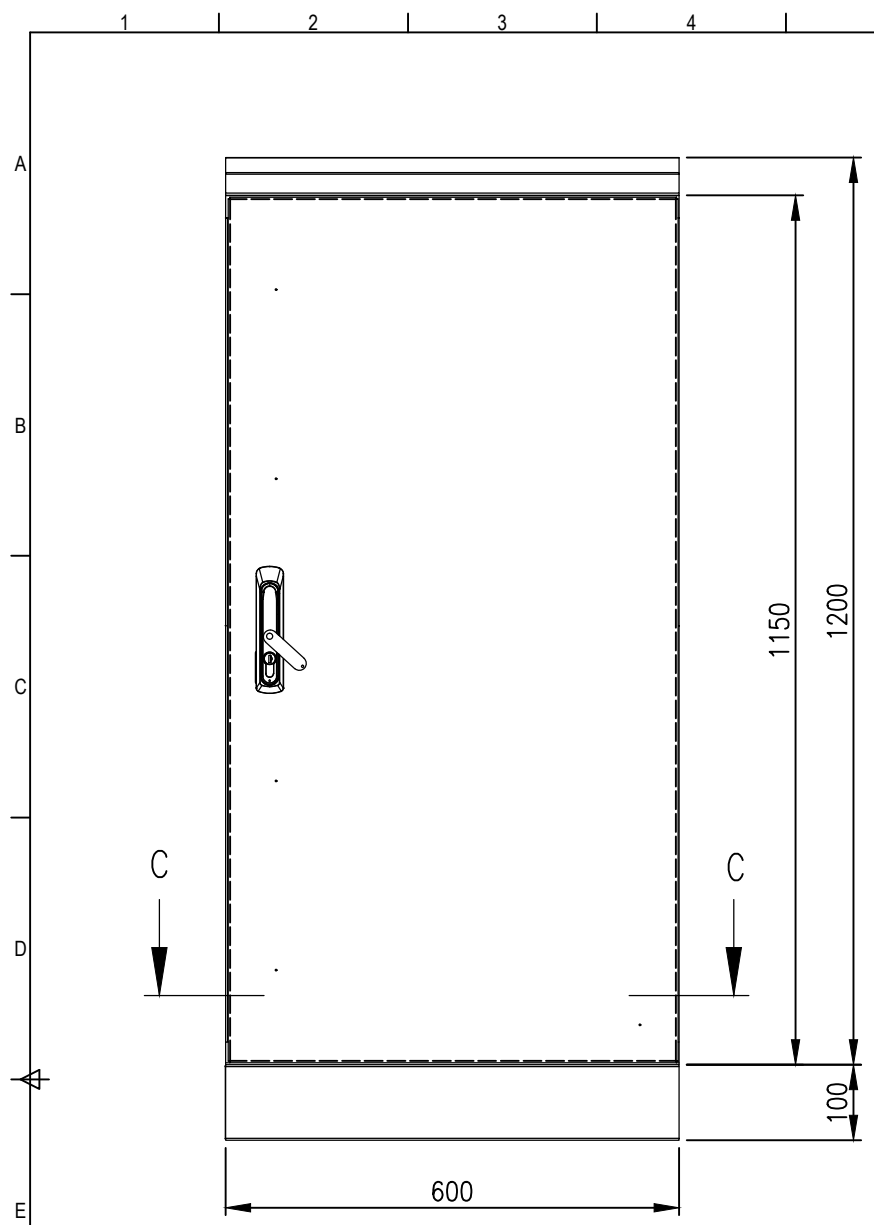
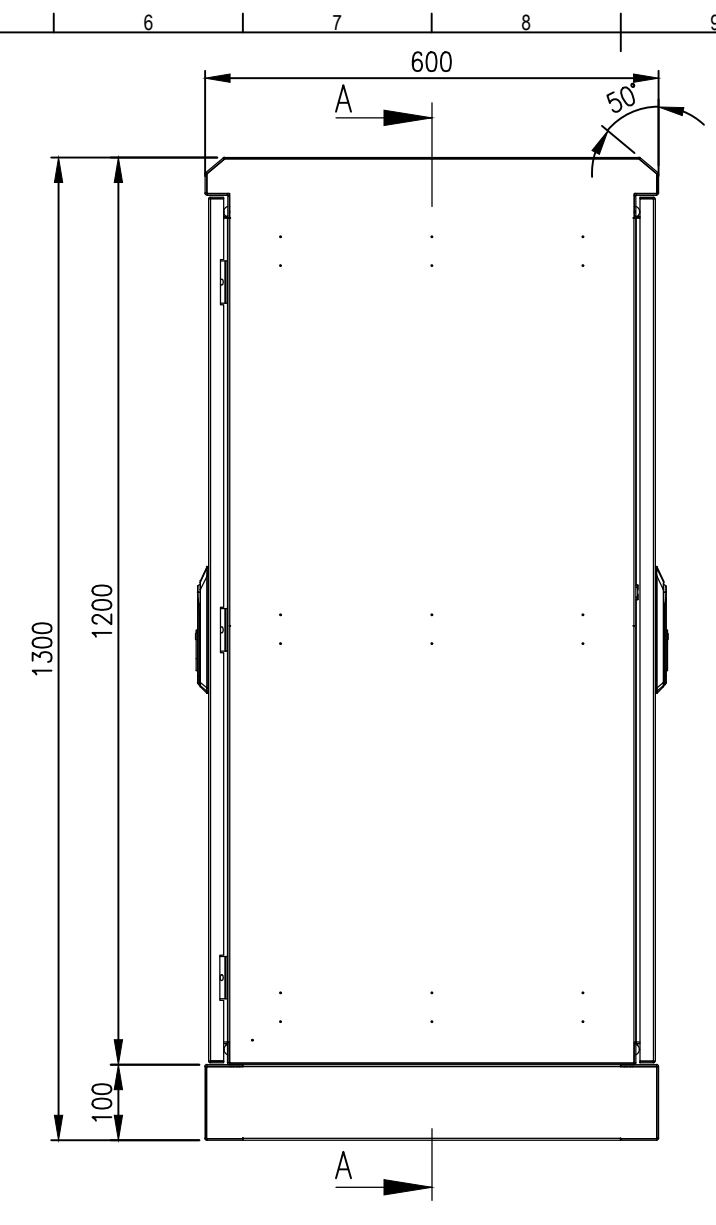


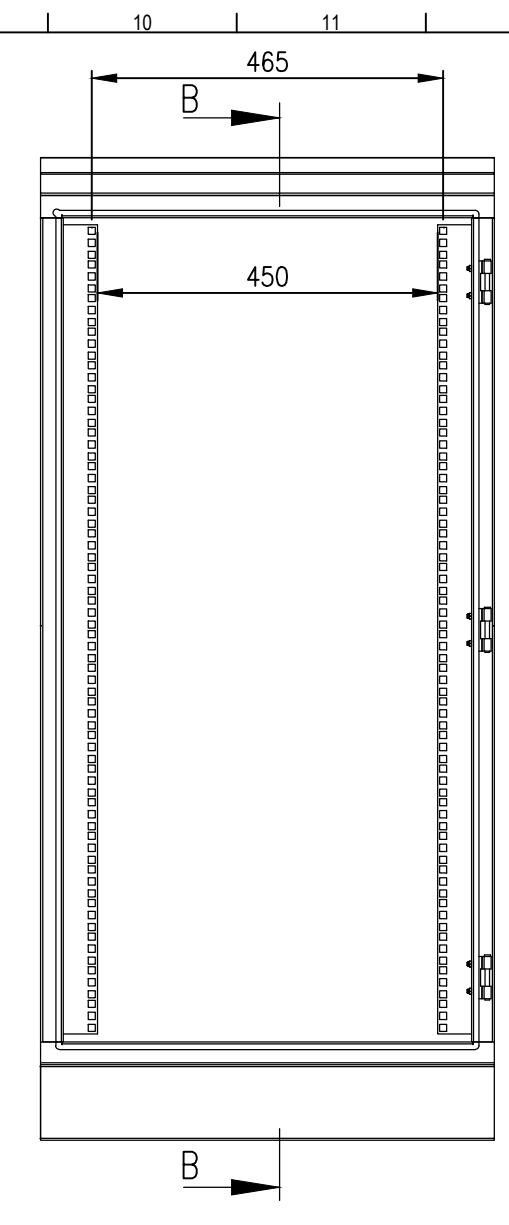
| RevNo | Revision note    | Date     | Signature | Checked |
|-------|------------------|----------|-----------|---------|
| 3     | GENERAL REVISION | 04/03/24 | IP        | IP      |



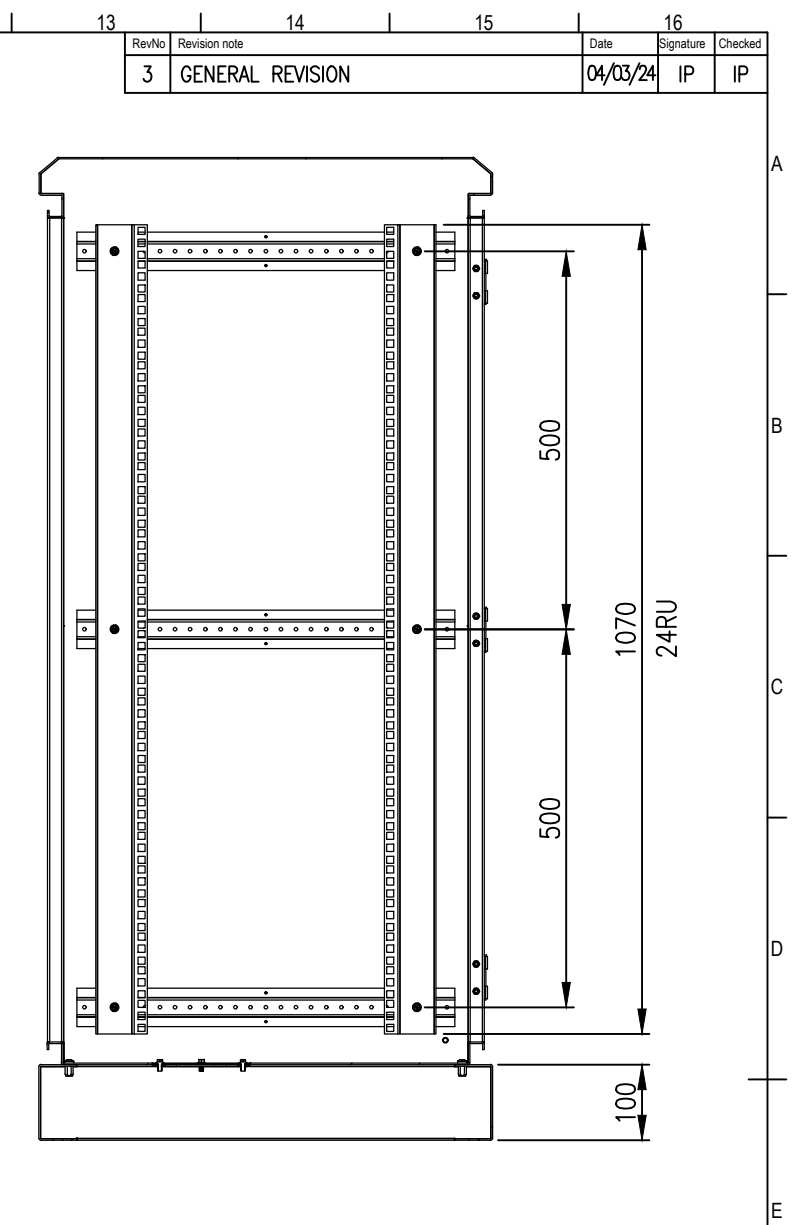
FRONT VIEW



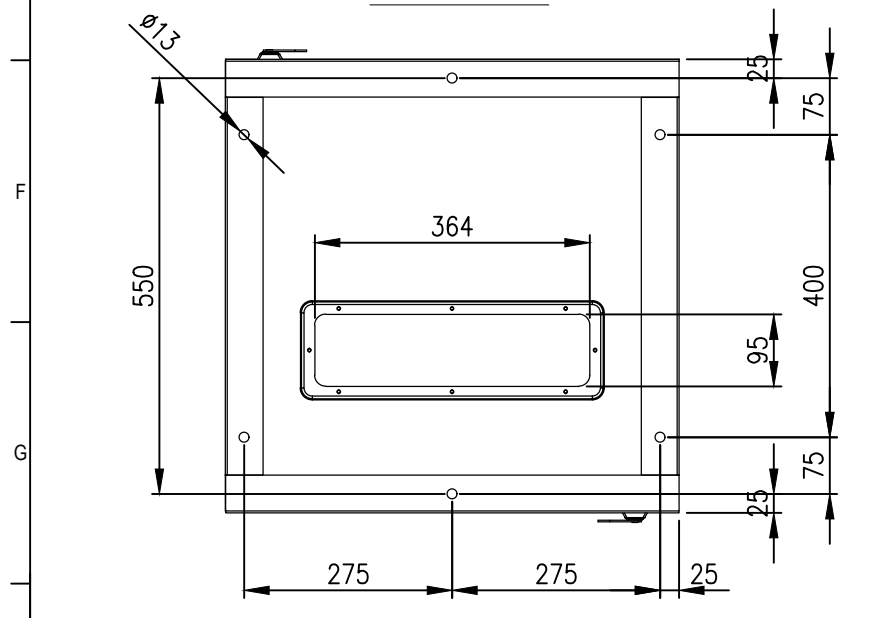
SIDE VIEW



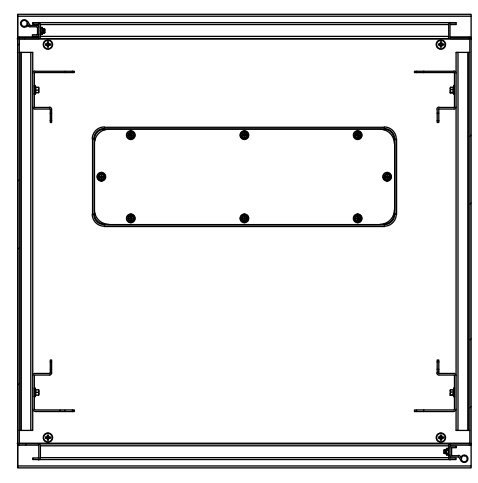
SECTION A-A



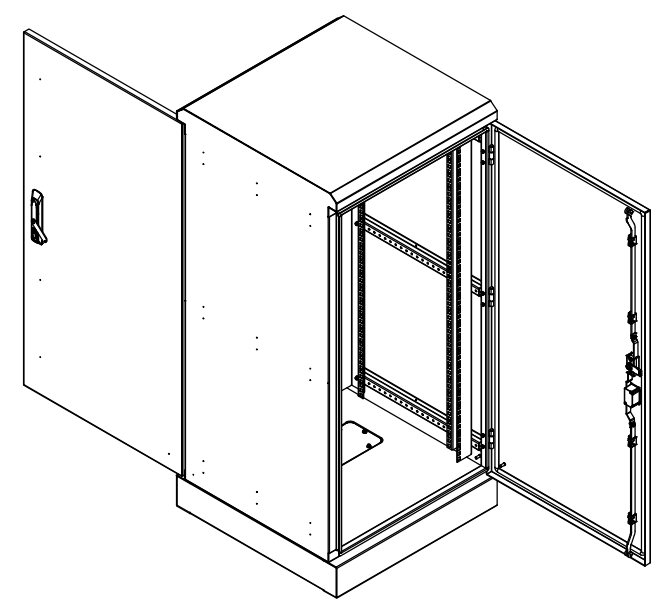
SECTION B-B



BOTTOM VIEW



SECTION C-C



**MATERIAL**  
 BODY: 2.0mm GALVANISED STEEL SHEET  
 DOOR: 2.0mm GALVANISED STEEL SHEET  
 SEAL: POLYURETHANE  
 SURFACE TREATMENT: POWDER-COAT 80-120micron

**PROTECTION: IP66 IK10**  
**STANDARD: IEC/EN/AS60529**

© IP ENCLOSURES 2018.  
 THIS DRAWING SHALL NOT BE COPIED OR REPRODUCED  
 WITHOUT AUTHORISATION FROM IP ENCLOSURES.  
 www.ipenclosures.com.au

| Itemref           | Quantity         | Title/Name, designation, material, dimension etc | Article No./Reference  |
|-------------------|------------------|--|--|
| Designed by<br>IP | Checked by<br>IP | Approved by - date<br>02/07/18                   | Filename<br>IP-SD1206060-RD                                    |
| Date<br>02/07/18  |                  | Scale<br>1:10                                    |  |
|                   |                  |  | <b>24RU 1200x600x600 IP66 19" DATA RACK</b><br>IP-SD1206060-RD |
| Edition<br>3      |                  |  | Sheet<br>1/1   |