

# 19" Data Rack Accessories

## IP-RCLF130

**FIXED SHELVES | STEEL | 300mm**

**1RU (To suit 19" Racks)  
(Can be used in either orientation)**

The IP Enclosures range of 19" rack-mounted DIN Rails, distribution panels and shelves provide flexibility to fit DIN mounted electrical and control components into 19" racks.

**Standard:** Compatible with 19" Racks EIA-310-D, RoHS

**Unit Size:** 1RU

**Depth:** 300mm

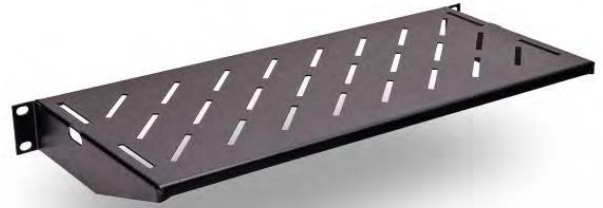
**Material:**

- Body: 1.5mm Galvanised steel sheet

**Body:** The robust body is fabricated using 1.5mm Galvanised steel sheet.

**Surface Treatment:** UL approved epoxy polyester powder-coated with a textured finish. 80-120 micron average thickness. Colour: RAL 9005.

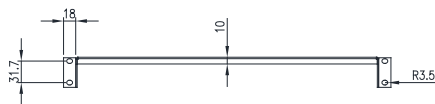
**Shelf Rating:** 25 Kg.



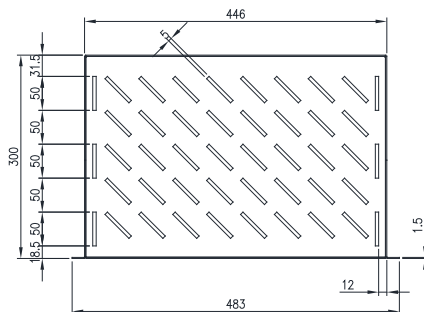
Orientation - A



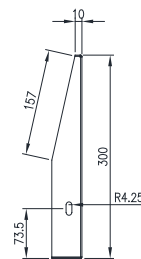
Orientation - B



TOP VIEW



FRONT VIEW



SIDE VIEW

